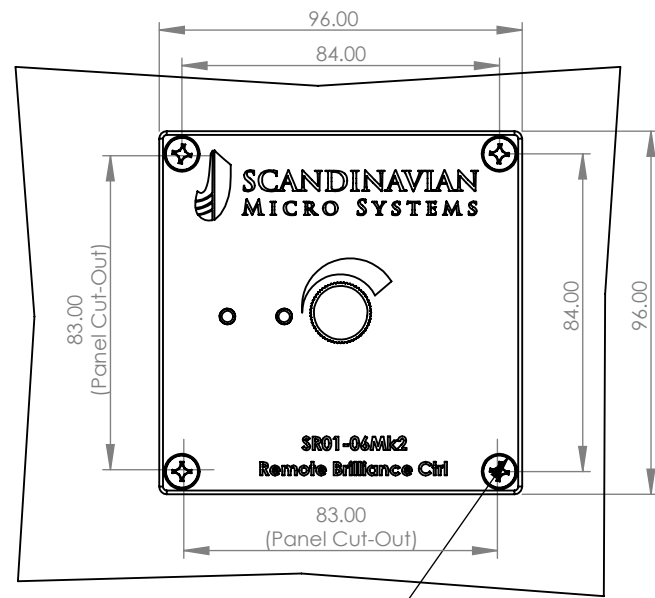
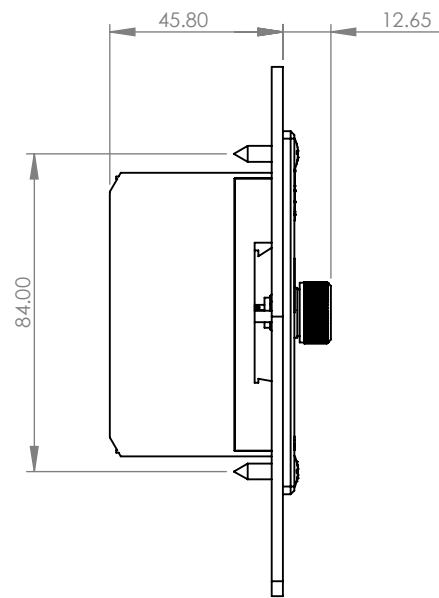
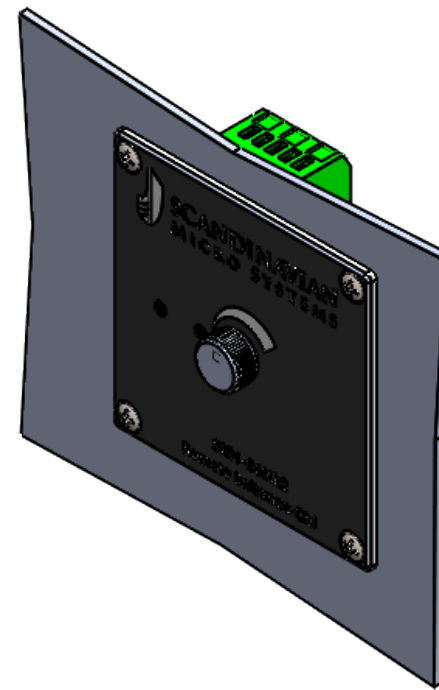
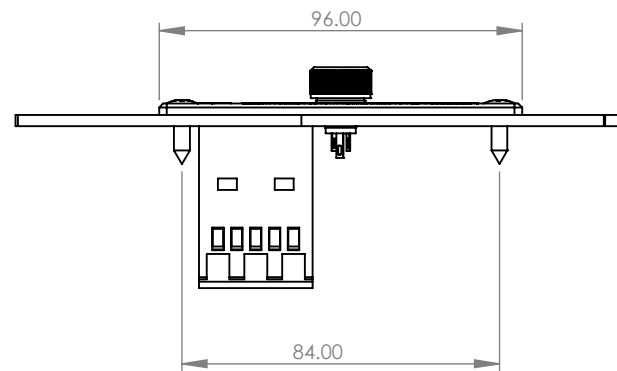


REVISIONS				
ZONE	REV.	DESCRIPTION	DATE	APPROVED



4x M4 Pan Head - Self Tapping screws



This drawing, its ideas, and designs, are the property of SCANDINAVIAN MICRO SYSTEMS and is not to be copied in part or in whole or otherwise used by a third party without our written consent.



NAME	DATE	PROJECTION
OS	2017-02-20	
APPV'D		
CHK'D		
MFG		
FINISH:	Powder Coated Black w/ White Silk Screen	MATERIAL:
		Aluminum
NOTE: DEBURR AND BREAK SHARP EDGES		
Dim in millimeter: General Tolerances: +/- 0.1 mm		WEIGHT (grams):

TITLE:	SR01-06Mk2 Brilliance Control Unit for SR01-02Mk2, LR40 & LR60
DWG NO.	SR01-06Mk2-Assy
SCALE:	1:2
SHEET	1 OF 1
A3	REV: 0